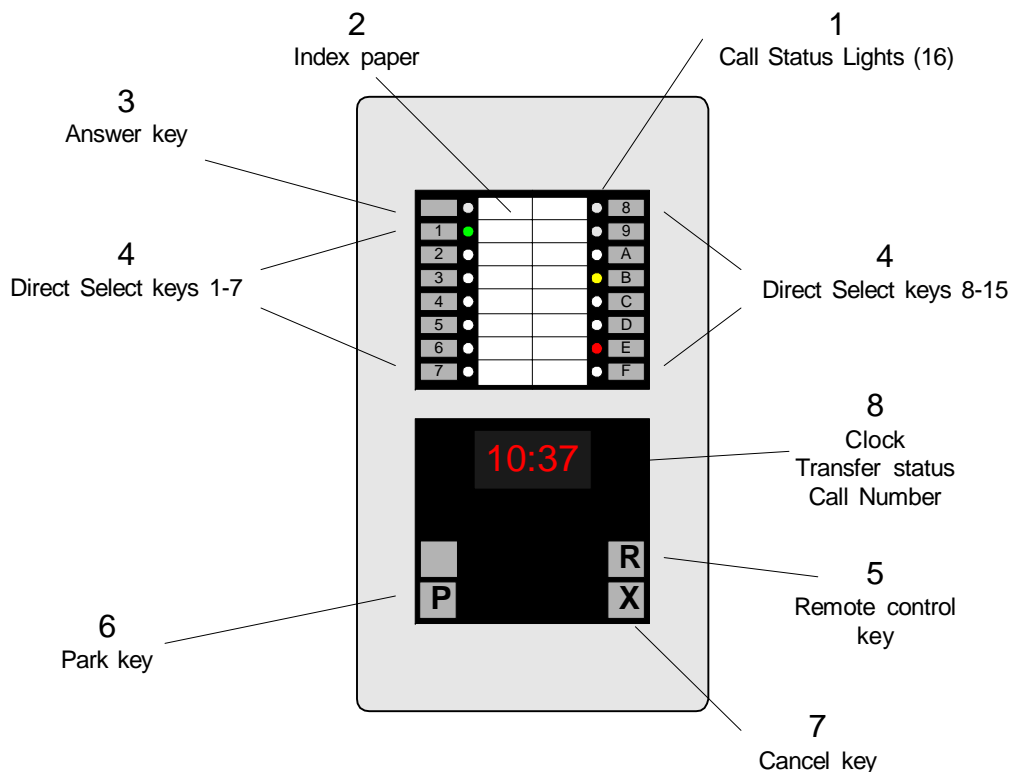


## DS16



### 1. Call Status Lights

Blinking Orange= Incomming **Call** or **Alarm**

Blinking Red = **Fault**

Steady Green = **Talk**

Steady Orange = **Busy**

Blinking Orange= **Park**

### 2. Index paper

Information about intercom stations

### 3. Answer key

Incoming Calls that are not assigned to direct select keys. The call number is displayed in LED display.

### 4. Direct Select keys

Answer Incoming Calls.

Place outgoing Calls

The call status is displayed in the Status Light for this key.

### 5. Remote control key.

This key activates a relay on the connected intercom station. Used for door opener function.

### 6. Park key.

When on a call the Park key will put the call on hold.

### 7. Cancel key (X).

When on a call the Cancel key will cancel the call.

### 8. Clock/Transfer

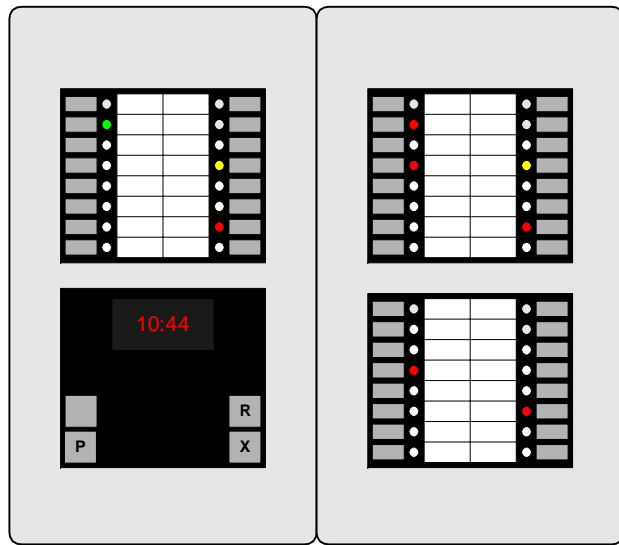
Time of day display in military format.

The time display will alternate between transfer and time when this station has transferred calls to another master station.

When in transfer mode the incomming calls are displayed but the buzzer is silent.

A short beep is sent from the buzzer every 45 seconds to indicate transfer mode.

Optional DK32 for expansion to 48 keys



DS16

DK32

# User Guide



**DS16**  
Direct Select  
Annunciator