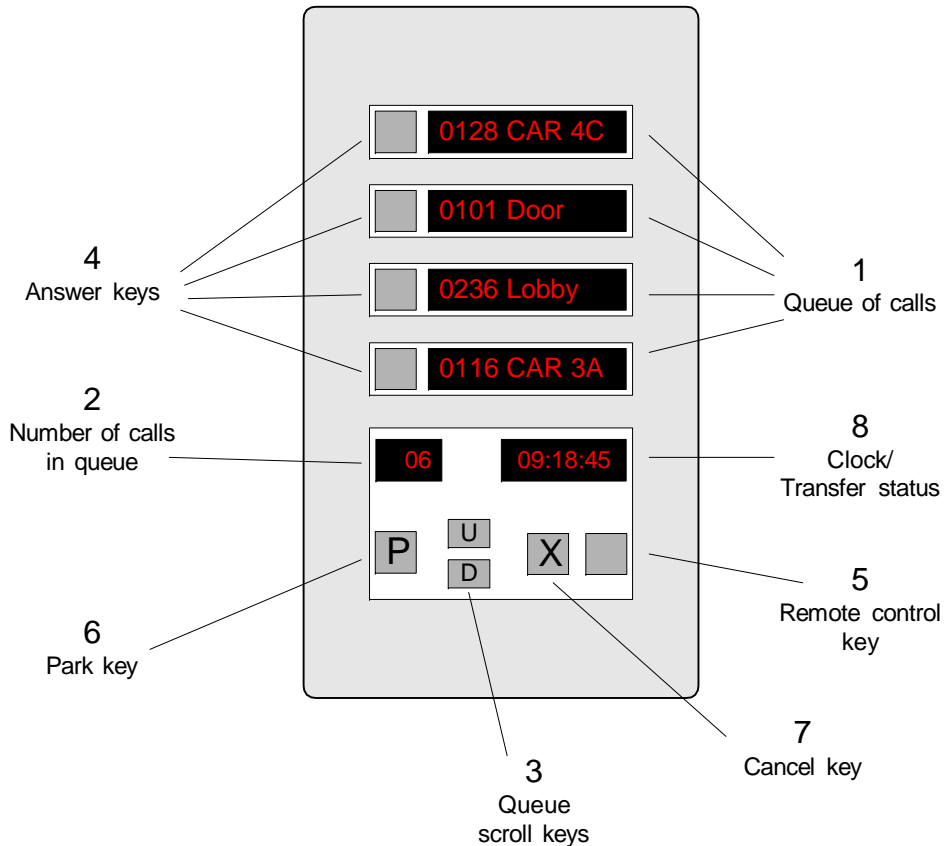


DAD104



1. Queue of calls (4 LINES)

4 Digit Call number + 12 character alphanumeric ID + status.
Calls are sorted by priority with the highest priority on the top line.
Status=ALARM, CALL, FAULT, PARK, BUSY

2. Number of calls in queue

Total number of calls active.

3. Scroll keys

The queue of calls may be scrolled up (U) or down (D) when more than 4 calls are in queue.

4. Answer keys

A call is answered by pushing the answer key next to the display.

5. Remote control key.

This key activates a relay on the connected intercom station.
Used for door opener function.

6. Park key.

When on a call the Park key will put the call on hold.

7. Cancel key (X).

When on a call the Cancel key will cancel the call.

8. Clock/Transfer

Time of day display in military format.
The time display will alternate between transfer and time when this station has transferred calls to another master station.
When in transfer mode the incoming calls are displayed but the buzzer is silent.
A short beep is sent from the buzzer every 45 seconds to indicate transfer mode.

User Guide



DAD104

Digital Annunciator